

# AIP-ST2022-6, ST2022-8

SDI over IP in an ST2110 environment

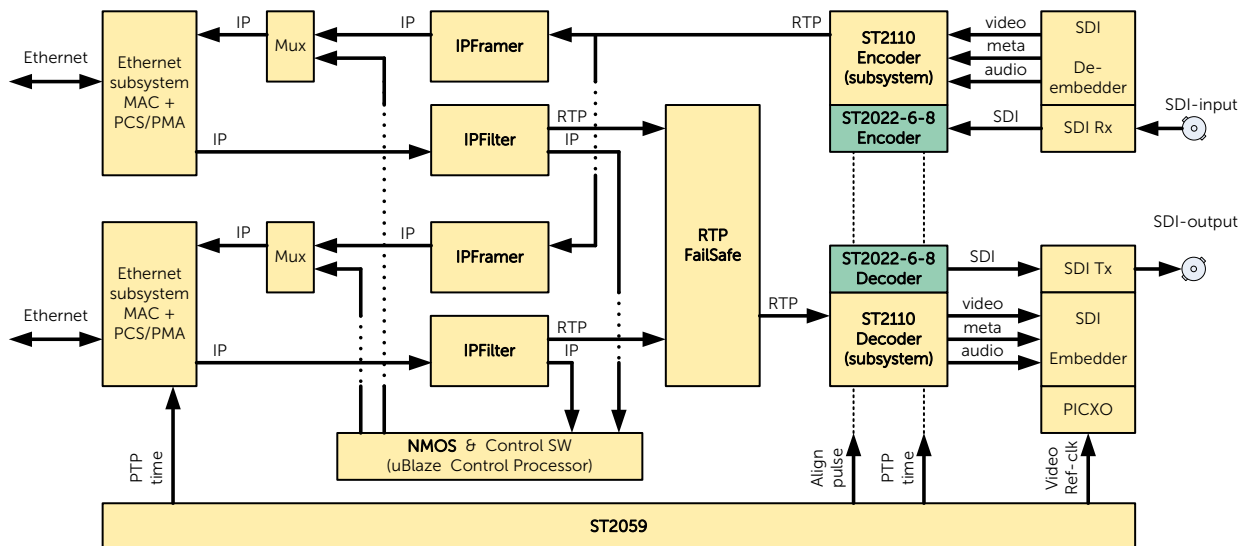


Figure 1: Application example

The AIP-ST2022-6-8 is an FPGA IP core that enables ST2022-6 (the transport of High Bit Rate Media signals over IP Networks) in an SMPTE ST2110-10 (timing) environment. It is typically used in professional media over IP networks, that have a need to transport SDI signals in its original format over IP.

## Product Description

The IP core provides broadcast and professional AV equipment the ability to send and/or receive SMPTE ST2022-6 and -8 encoded signals over IP networks. The following standards are applicable:

- ST2022-6: Transport of HBR signals over IP
- ST2022-8: Timing of 2022-6 streams in ST2110-10 systems

Based on standard AXI4-Stream and AXI4-Lite interfaces, the AIP-ST2022-6-8 core can easily be integrated into your system. The RTL core is controlled by a software driver, which is included.

## Key Features & Benefits

- Modular ST2022-6-8 encoder and decoder subsystems allow for easy system customization and optimization
- Supported standards: SMPTE ST274, ST292, ST296, ST372, ST424, ST425, ST2048-2.
- The AIP-ST2022-6-8 core is designed to fit seamlessly in the Adeas Video over IP core suite: ST2110, ST2059, FailSafe 2022-7, IPFramer&Filter

- The AIP-ST2022-6-8 core is network speed independent, so can be used in 1G, 10G, 25G and 100G Ethernet networks

## Available demo design

- Based on Xilinx development kits
- Supports 10 and 25 Gb/s Ethernet network connections
- Including ST2059 time synchronisation
- Control SW running on a Micro Blaze softcore processor or hardcore ARM on Peta Linux OS

## Available documentation

- Product guide

## Available licenses

- Site license
- Multi-site license
- Source code license